

orkanda

Home Lift Supplier



ORKA 1100

Catalogue Product



orkanda

Orka 1100 gives the complete independence and fills me with total confidence in moving around my home safely every day.

Features

- Patented Multi-Drive Technology
- Ultra Slim Rail
- Constant Charge
- Compact and Foldable
- Easy to Use and Maintain
- Available Powered Footrest and Seat Swivel Options



Safe Working Load (SWL)

30-45°: 309 lb (140 kg)
46-50°: 287 lb (130 kg)



Warranty

Orka 1100: 2 years
Motor & Gearbox: 10 Years

Regain your independence and conquer the struggles of staircases.

Orka 1100 offers chairlift solutions that provide freedom of movement throughout your home, allowing you to age in place free from everyday obstacles. Our compact and customized can be installed anywhere. We have dozens of satisfied customers with a good deal to choose our chairlift.

Ultra slim profile. Revolutionary drive system.

Orka 1100 straight chairlift features next generation technology with an ultra-streamlined design that takes up less space on your stairs. The patented Multi-Drive Friction System will ensure your chairlift is operating at peak levels at all times with no reduction in performance ever.

We eliminated the traditional rack and pinion model and invested in a friction drive system to power our net gen chairlift. We've achieved a quieter, smoother, more robust chairlift that's much easier to maintain. The contemporary design allows the Orka 1100 to blend into any environment, becoming a complementary piece in your home.





Compact

Orka 1100 folds up easily maximizing the space for family members to go up and down the stairs as needed



Easy to Use

Ergonomic and intuitive to use, the joystick on the armrest smoothly operates Orka 1100.



Easy to Maintain

Pet owners rejoice, the Orka 1100 features four brush heads that constantly clean the rail from dust and hair, ensuring your lift is always spotless. The tooth rack free design also eliminates the necessity for grease on the rail offering a clean finish today and tomorrow.



Always Charged

Orka 1100 comes standard with continuous charge, your lift is always being charged anywhere on the track.

Retractable Seatbelt

Orka 1100 comes equipped with an easy-to-use retractable seat belt, a standard feature that provides added security when safely seated in your chairlift.



Patented Multi-Drive Friction Technology

We've built multi-drive into a chairlift in the unlikely event of a motor issues, three others to transport you safely to the top or bottom of the stairs. An emergency stop button is also located on the bottom.



Safety First

The optional powered footrest allows you to fold and unfold the footrest without having to bend down, an anti-slip texture on the footrest provides a better foot grip when seated and departing.



Swivel Automatically

The optional powered swivel makes it easy to get off the lift at the top of landings, simply hold the toggle switch in the direction of the landing to turn the seat for a controlled departure.





Vanilla Beige

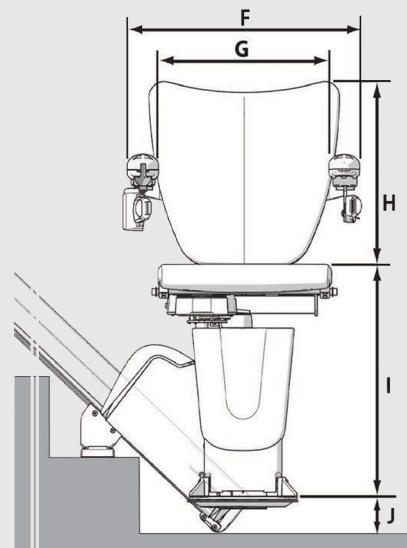
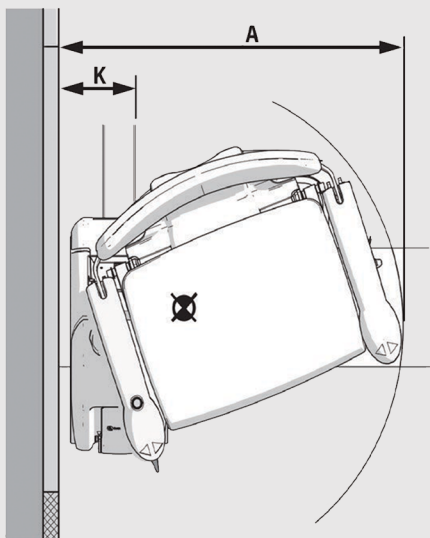
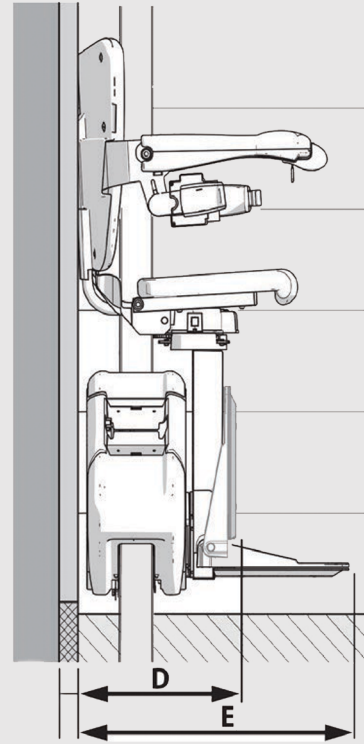
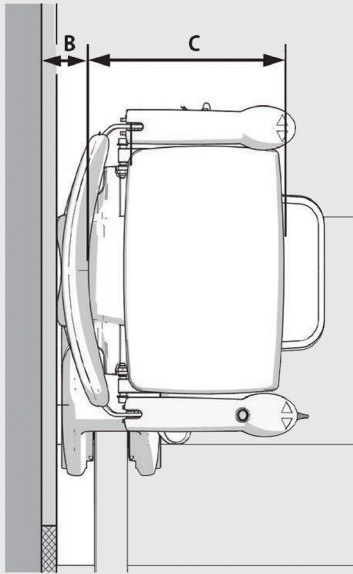
A Stairlift Suited for Any Interior

We designed orka 1100 to be a smart, stylish complement to everything else in your home. The contemporary design is welcome in any home decor and is available in a warm vanilla beige upholstery.

Featuring our comfortable style seat in a leatherette finish, the seat surface is easily wipeable and cleans effortlessly.

The ultra slim rail beautifies the Orka 1100, simply there is no other rail on the market that competes with its overall look and sleek profile, a nonobtrusive design that

— Specification



Orka 1100 Style Seat Dimensions

Safe Working Load

30-45 : 309 lb (140 kg)

46-50 : 287 lb (130 kg)

Staircase Angel

30-50°

Speed

0.5 ft/ sec (0.15 m/sec)

A	Swivel radius	25.4 in (645 mm)
B	Wall to inner seat back	2.4 in (60 mm)
C	Seat depth	15.4 in (390 mm)
D	Folded width to edge footplate, minimum	12.6 in (320 mm)
E	Open width to edge footplate, minimum	20.9 in (530 mm)
F	Armrest width, external	22.6 in (575 mm)
G	Armrest width, internal	17.7 in (450 mm)
H	Seat back height	15.7 in (400 mm)
I	Footplate to seat height	16.9-20.5 in (430-520 mm)
J	Footplate to height, minimum	2.75 in (70 mm)
K	Track instruction into staircase, minimum	6.3 in (160 mm)

orkanda

www.orkanda.co.id

Jakarta

Ruko Graha Boulevard Blok B-05
Jl. Raya Boulevard Kelapa Gading
Jakarta Utara – Indonesia 14240

Surabaya

Gedung Medan Pemuda, Lt.4
Jl. Pemuda No. 23-71, Surabaya
Jawa Timur – Indonesia 60271



Orkanda lifts



@orkandaliftindonesia



@orkanda.id



OrkandaUAB